



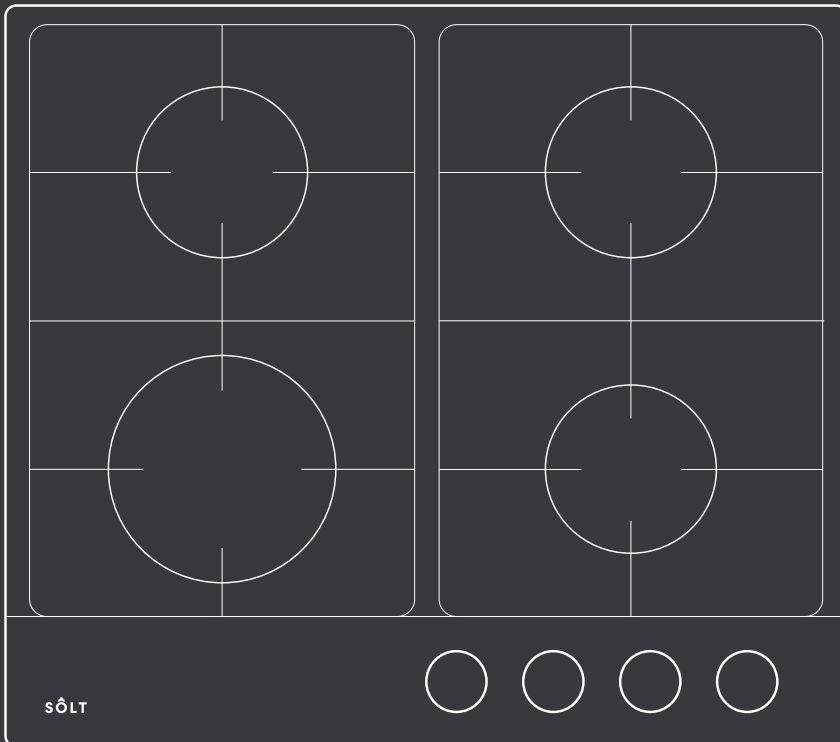
SOLT

# 60cm Gas Cooktop

## Quick Start Guide

Tips for Using & Operating Your Cooktop

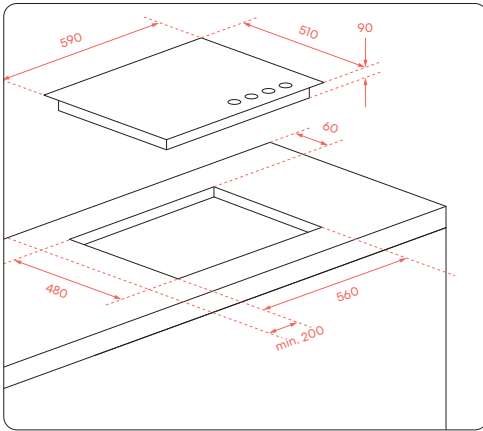
Model: GGSCG6004



# 60cm Gas Cooktop

## Getting Started...

### Installation



For the purpose of installation and usage, leave a min. of 50mm space surrounding the cut-out. Ensure that the thickness of the work surface is at least 30mm min.

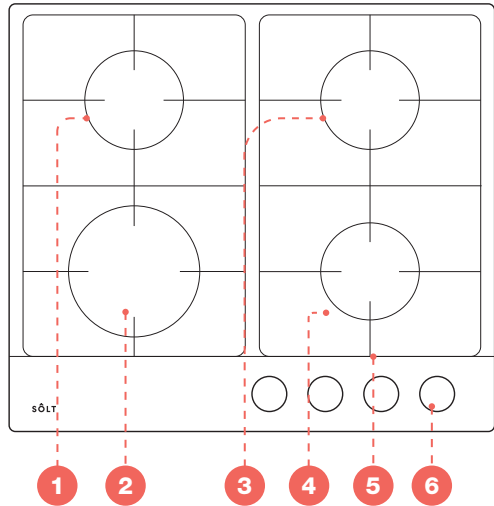
For a guide on installing your cooktop, see pages 06–13 of the included user manual.

### Dimensions

Side (mm): 590 W × 510 D × 90 H

Cut-Out (mm): 560<sup>+4</sup> W × 480<sup>+4</sup> D

### The Controls



### Key

1. 6.30 MJ/h Semi-Rapid Burner
2. 10.80 MJ/h Wok Burner
3. 6.30 MJ/h Semi-Rapid Burner
4. 4.30 MJ/h Auxiliary Burner
5. Cast Iron Trivet(s)
6. Control Knobs